

ROD
HOLDER

51.38

29.50

53.75

HEAVY DUTY
FOOT BRAKE

TOUNGE
LOCKS IN
UPRIGHT POSITION

8" SWIVEL
CASTOR

8" FIXED
CASTOR

TEATHERED
PIN FOR HITCH

LOCKING
ROD WITH
SECURITY
FEATURE

UNLESS OTHERWISE SPECIFIED:

PART DESC:

DIMENSIONS ARE IN INCHES
TOLERANCES:
FRACTIONAL ±
ANGULAR: MACH ± BEND ±
TWO PLACE DECIMAL ±
THREE PLACE DECIMAL ±

PART #:

NAME

DATE

DRAWN BY:

CUST APPROVAL

COMMENTS:

PC&D

CUSTOMER:

PROGRAM:

SIZE DWG. NO.
A PCD5271_01
AUTOLINK CART

REV
01

SCALE: 1:50

SHEET 1 OF 2

PROPRIETARY AND CONFIDENTIAL

THE INFORMATION CONTAINED IN THIS DRAWING IS THE SOLE PROPERTY OF <INSERT COMPANY NAME HERE>. ANY REPRODUCTION IN PART OR AS A WHOLE WITHOUT THE WRITTEN PERMISSION OF <INSERT COMPANY NAME HERE> IS PROHIBITED.

REV #	DESCRIPTION	DATE

FINISH

DO NOT SCALE DRAWING

APPLICATION

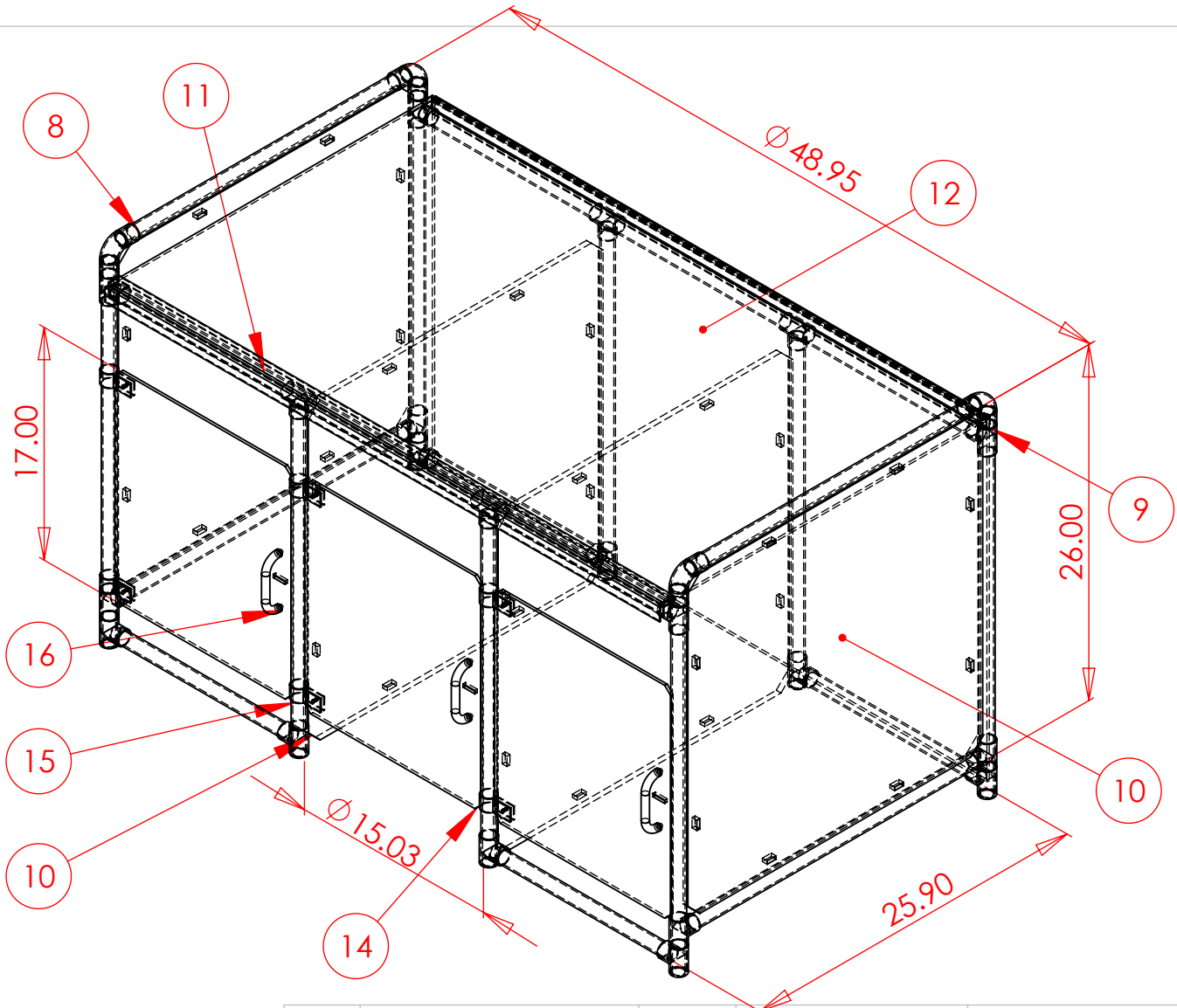
5

4

3

2

1



ITEM NO.	PART NUMBER	QTY.
1	verttube1	4
2	centerverticals	4
3	horz1	2
4	horz2	2
5	horz3	2
6	horz4	4
7	elbow	1
8	elbow1	4
9	tee1	20
10	verticalpanel	4
11	vynledge SG1461	2
12	toppanel	1
13	backpanel	1
14	door1	3
15	doorhinge	6
16	handle3	3

UNLESS OTHERWISE SPECIFIED:			PART DESC:		
DIMENSIONS ARE IN INCHES			PART #:		
TOLERANCES:			NAME		
FRACTIONAL ±			DATE		
ANGULAR: MACH ± BEND ±			DRAWN BY:		
TWO PLACE DECIMAL ±			CUST APPROVAL		
THREE PLACE DECIMAL ±			COMMENTS:		
INTERPRET GEOMETRIC TOLERANCING PER:					
MATERIAL					
FINISH					
REV #	DESCRIPTION	DATE			
APPLICATION			DO NOT SCALE DRAWING		

PC&D

CUSTOMER:
PROGRAM:

SIZE DWG. NO. REV
A PCD5271_01 01
AUTOLINK CART

SCALE: 1:50 SHEET 2 OF 2

PROPRIETARY AND CONFIDENTIAL
THE INFORMATION CONTAINED IN THIS DRAWING IS THE SOLE PROPERTY OF <INSERT COMPANY NAME HERE>. ANY REPRODUCTION IN PART OR AS A WHOLE WITHOUT THE WRITTEN PERMISSION OF <INSERT COMPANY NAME HERE> IS PROHIBITED.